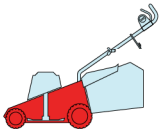
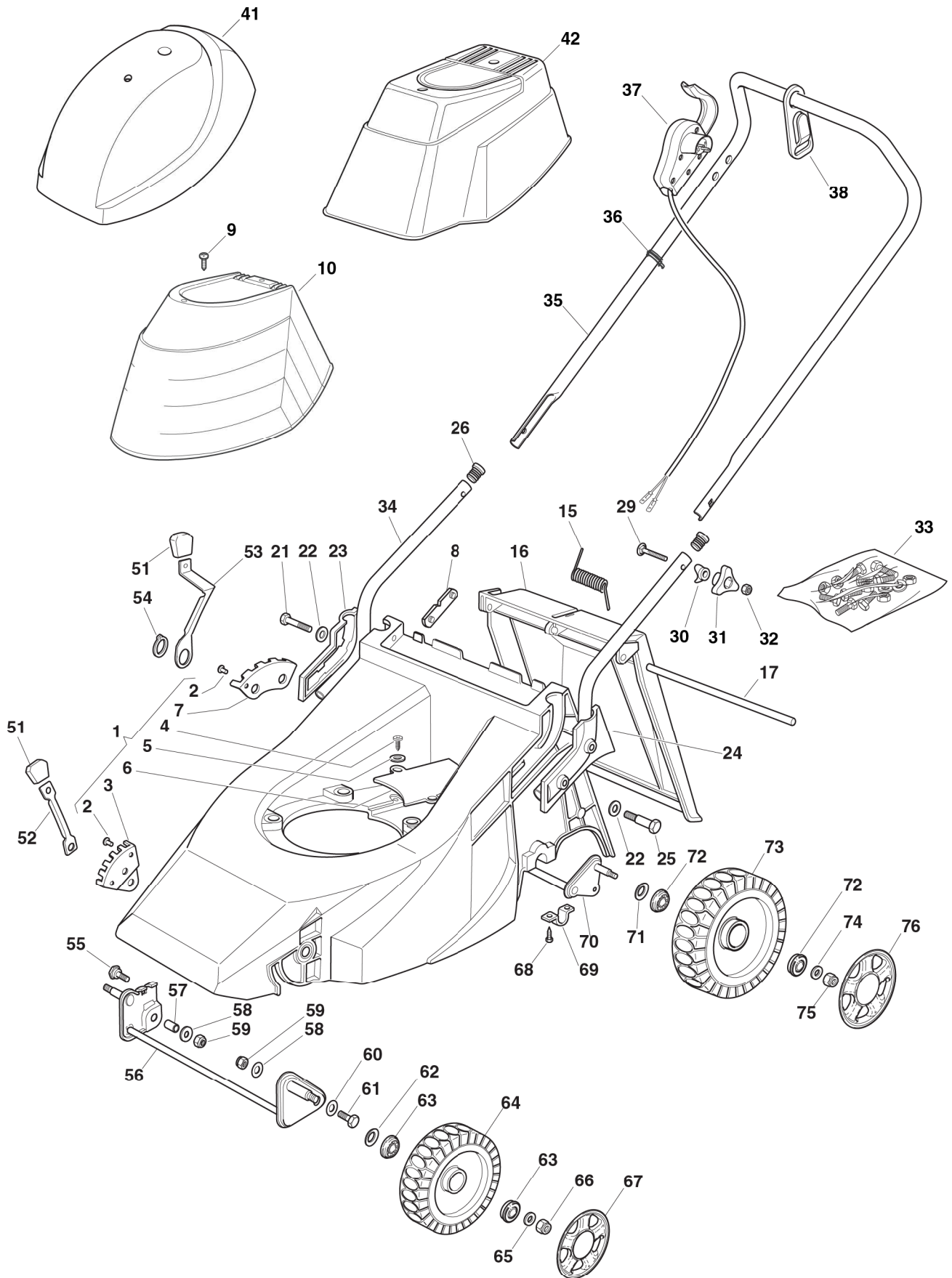


|            |             |            |
|------------|-------------|------------|
| <b>T</b>   |             |            |
| <b>430</b> | <b>430S</b> | <b>480</b> |



|              |
|--------------|
| 2008         |
| <b>191.0</b> |
| 1 / 3        |



| POS. | CODE       | Q.Q.TY | DESCRIZIONE                 | DESCRIPTION                | DESCRIPTION                  | BESCHREIBUNG            | REMARKS           |
|------|------------|--------|-----------------------------|----------------------------|------------------------------|-------------------------|-------------------|
| 1    | 81001415/1 | 1      | CHASSIS ROSSO               | DECK RED                   | CHÂSSIS ROUGE                | GEHÄUSE ROT             | 430               |
| -    | 81001416/2 | 1      | CHASSIS ROSSO               | DECK RED                   | CHÂSSIS ROUGE                | GEHÄUSE ROT             | 480               |
| 2    | 12500070/0 | 3      | RIVETTO                     | RIVET                      | RIVET                        | NIETE                   |                   |
| 3    | 22735535/0 | 1      | SETTORE REGOLAZIONE ALTEZZA | SECTOR, HEIGHT ADJUSTMENT  | SECTEUR REGLAGE HAUTEUR      | SEKTOR, HÖHEVERSTELLUNG |                   |
| 4    | 12728680/0 | 2      | VITE                        | SCREW                      | VIS                          | SCHRAUBE                |                   |
| 5    | 12523020/0 | 3      | ROSETTA                     | WASHER                     | RONDELLE                     | SCHEIBE                 |                   |
| 6    | 22060171/0 | 1      | CARTER CINGHIA              | PROTECTION, BELT           | PROTECTION                   | SCHUTZ, RIEMEN          | 430               |
| -    | 22060172/0 | 1      | CARTER CINGHIA              | PROTECTION, BELT           | PROTECTION                   | SCHUTZ, RIEMEN          | 480               |
| 7    | 22735508/0 | 1      | SETTORE REGOLAZIONE ALTEZZA | SECTOR, HEIGHT ADJUSTMENT  | SECTEUR REGLAGE HAUTEUR      | SEKTOR, HÖHEVERSTELLUNG |                   |
| 8    | 22551632/1 | 2      | PIASTRINA FISSAGGIO MANICO  | PLATE FOR HANDLE FASTENING | PLAQUETTE FIXAGE MANCHERON   | PLATTE HOLMBEFESTIGUNG  |                   |
| 9    | 12728680/0 | 2      | VITE                        | SCREW                      | VIS                          | SCHRAUBE                |                   |
| 10   | 22055033/1 | 1      | CAPOTTINA                   | COVER                      | CAPOT                        | HAUBE                   |                   |
| 15   | 22450270/0 | 1      | MOLLA                       | SPRING                     | RESSORT                      | FEDER                   |                   |
| 16   | 22600023/2 | 1      | PARASASSI                   | STONE-GUARD                | PARE-PIERRES                 | PRALLBLECH              |                   |
| 17   | 22517907/0 | 1      | PERNO                       | PIN                        | PIVOT                        | BOLZEN                  |                   |
| 21   | 12691400/0 | 2      | VITE                        | SCREW                      | VIS                          | SCHRAUBE                |                   |
| 22   | 12521350/0 | 4      | ROSETTA                     | WASHER                     | RONDELLE                     | SCHEIBE                 |                   |
| 23   | 22600042/0 | 1      | PROT. MANICO DX             | PROTECTION, R              | PROTECTION MANCHERON D       | SCHUTZ,                 |                   |
| 24   | 22600043/0 | 1      | PROT. MANICO SX             | PROTECTION, L              | PROTECTION MANCHERON G       | SCHUTZ, LINKERHOLM      |                   |
| 25   | 12691900/0 | 2      | VITE                        | SCREW                      | VIS                          | SCHRAUBE                |                   |
| 26   | 18566110/0 | 2      | PUNTALE                     | CAP                        | BOUCHON                      | GUMMISTOPFEN            |                   |
| 29   | 12819120/0 | 2      | VITE                        | SCREW                      | VIS                          | SCHRAUBE                |                   |
| 30   | 22680006/1 | 2      | ROSETTA                     | WASHER                     | RONDELLE                     | SCHEIBE                 |                   |
| 31   | 22399900/0 | 2      | MANOPOLINA                  | KNOB                       | POIGNÉE                      | GRIFF                   |                   |
| 32   | 12293200/0 | 2      | DADO                        | NUT                        | ECROU                        | MUTTER                  |                   |
| 33   | 81008594/0 | 1      | DOTAZIONE VITERIA           | OUTFIT, SCREWS             | DOTATION VISSERIE            | SATZ, SCHRAUBEN         |                   |
| 34   | 81006917/0 | 2      | MANICO, PARTE INF           | HANDLE, LOWER PART         | MANCHERON, PARTIE INFÉRIEURE | HOLM, UNTERTEIL         |                   |
| 35   | 81006945/2 | 1      | MANICO, PARTE SUP           | HANDLE, UPPER PART         | MANCHERON, PARTIE SUPÉRIEURE | HOLM, OBERTEIL          |                   |
| 36   | 22192000/1 | 2      | FASCETTA                    | ANCHOR CLAMP               | COLLIER ANCRAGE              | BOWDENZUGHALTER         |                   |
| 37   | -          | 1      | SALVAMOTORE                 | DEAD HAND SWITCH           | INT. MAIN MORTE              | TOT MANSCHALTER         | (SEE ENCLOSURE 4) |
| 38   | 22195101/4 | 1      | FERMACAVO                   | FAIRLEAD                   | FIXATION CABLE               | KABELBEFESTIGUNG        |                   |
| 41   | 22055058/0 | 1      | CAPOTTINA                   | COVER                      | CAPOT                        | HAUBE                   |                   |
| 42   | 22055045/1 | 1      | CAPOTTINA                   | COVER                      | CAPOT                        | HAUBE                   |                   |
| 51   | 22400000/1 | 2      | MANOPOLINA                  | KNOB                       | POIGNÉE                      | GRIFF                   |                   |
| 52   | 22321502/1 | 1      | LEVA REGOLAZIONE ALTEZZA    | LEVER, HEIGHT ADJUSTMENT   | LEVIER, REGLAGE HAUTEUR      | HEBEL, HÖHEVERSTELLUNG  |                   |
| 53   | 22321497/0 | 1      | LEVA REGOLAZIONE ALTEZZA    | LEVER, HEIGHT ADJUSTMENT   | LEVIER, REGLAGE HAUTEUR      | HEBEL, HÖHEVERSTELLUNG  |                   |
| 54   | 12609260/0 | 1      | ANELLO ARRESTO              | RING                       | ANNEAU DE TENNUE             | RING                    |                   |
| 55   | 22519510/0 | 1      | PERNO                       | PIN                        | PIVOT                        | BOLZEN                  |                   |
| 56   | 81001408/0 | 1      | ASSE RUOTE ANTERIORI        | AXLE, FRONT WHEELS         | AXE ROUES AVANT              | ACHSE, VORDERRAD        | 430               |
| -    | 81001410/0 | 1      | ASSE RUOTE ANTERIORI        | AXLE, FRONT WHEELS         | AXE ROUES AVANT              | ACHSE, VORDERRAD        | 480               |
| 57   | 22170950/0 | 1      | DISTANZIALE DX              | R SPACER                   | ENTRETOISE D                 | RECHTER DISTANZRING     |                   |
| 58   | 12523060/0 | 2      | ROSETTA                     | WASHER                     | RONDELLE                     | SCHEIBE                 |                   |
| 59   | 12155000/0 | 2      | DADO                        | NUT                        | ECROU                        | MUTTER                  |                   |
| 60   | 12521350/0 | 2      | ROSETTA                     | WASHER                     | RONDELLE                     | SCHEIBE                 |                   |
| 61   | 22519515/0 | 1      | PERNO                       | PIN                        | PIVOT                        | BOLZEN                  |                   |

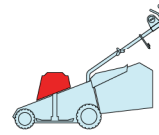
| POS. | CODE       | Q.TY | DESCRIZIONE                | DESCRIPTION          | DESCRIPTION         | BESCHREIBUNG            | REMARKS           |
|------|------------|------|----------------------------|----------------------|---------------------|-------------------------|-------------------|
| 62   | 12530150/0 | 2    | ROSETTA ELASTICA           | ELASTIC WASHER       | RONDELLE ELASTIQUE  | ELASTISCHE SCHEIBE      |                   |
| 63   | 22122200/0 | 4    | CUSCINETTO                 | BEARING              | COUSSINET           | LAGER                   |                   |
| 64   | 81007336/0 | 2    | RUOTA SCOLPITA Ø 170       | WHEEL, KNOBBLY Ø 170 | ROUE SCULPTEE Ø 170 | RAD M. STOLLENPR. Ø 170 |                   |
| 65   | 12521350/0 | 2    | ROSETTA                    | WASHER               | RONDELLE            | SCHEIBE                 |                   |
| 66   | 12155000/0 | 2    | DADO                       | NUT                  | ECROU               | MUTTER                  |                   |
| 67   | -          | 2    | COPRIMOZZO                 | HUB CAP              | COUVRE-MOYEU        | RADKAPPE                | (SEE ENCLOSURE 1) |
| 68   | 12735402/0 | 4    | VITE                       | SCREW                | VIS                 | SCHRAUBE                |                   |
| 69   | 22545154/0 | 2    | PIASTRINA                  | PLATE                | PLAQUETTE           | PLATTE                  |                   |
| 70   | 81000151/0 | 1    | ASSE RUOTE POSTE-<br>RIORI | AXLE, REAR WHEELS    | AXE ROUES ARRIERE   | ACHSE, HINTERRAD        |                   |
| 71   | 12530150/0 | 2    | ROSETTA ELASTICA           | ELASTIC WASHER       | RONDELLE ELASTIQUE  | ELASTISCHE SCHEIBE      |                   |
| 72   | 22122200/0 | 4    | CUSCINETTO                 | BEARING              | COUSSINET           | LAGER                   |                   |
| 73   | 81007337/0 | 2    | RUOTA SCOLPITA Ø 210       | WHEEL, KNOBBLY Ø 210 | ROUE SCULPTEE Ø 210 | RAD M. STOLLENPR. Ø 210 |                   |
| 74   | 12521350/0 | 2    | ROSETTA                    | WASHER               | RONDELLE            | SCHEIBE                 |                   |
| 75   | 12155000/0 | 2    | DADO                       | NUT                  | ECROU               | MUTTER                  |                   |
| 76   | -          | 2    | COPRIMOZZO                 | HUB CAP              | COUVRE-MOYEU        | RADKAPPE                | (SEE ENCLOSURE 2) |

**T**

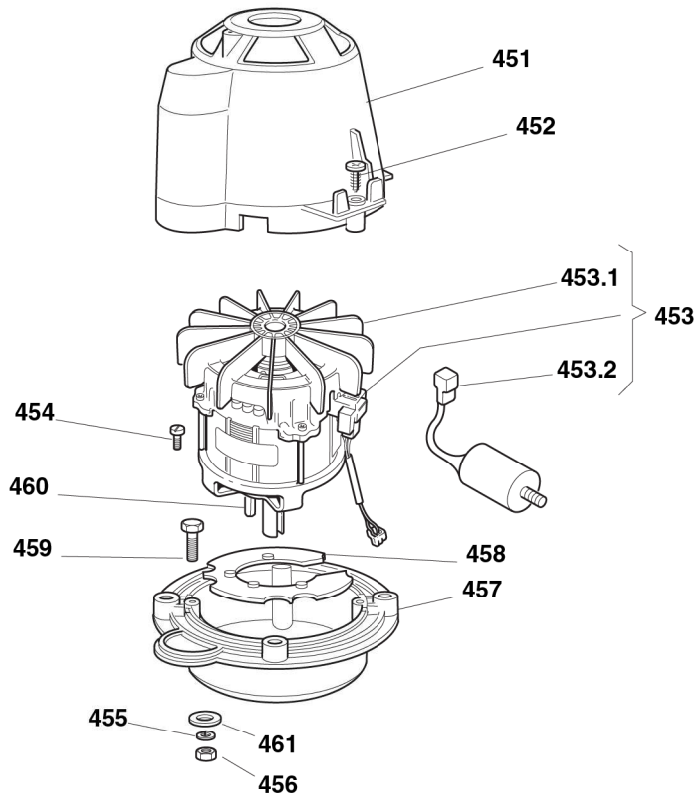
**430**

**430S**

**480**



|              |
|--------------|
| 2008         |
| <b>192.0</b> |
| 1 / 1        |



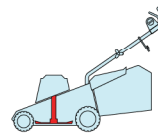
| POS.  | CODE        | Q.TY | DESCRIZIONE            | DESCRIPTION        | DESCRIPTION            | BESCHREIBUNG      | REMARKS      |
|-------|-------------|------|------------------------|--------------------|------------------------|-------------------|--------------|
| 451   | 22785061/0  | 1    | SUPPORTO CAPOTTINA     | SUPPORT, COVER     | SUPPORT CAPOT          | HALTER, HAUBE     |              |
| 452   | 12728710/0  | 4    | VITE                   | SCREW              | VIS                    | SCHRAUBE          |              |
| 453   | 18563605/0  | 1    | MOTORE ATB             | MOTOR ATB          | MOTEUR ATB             | MOTOR ATB         | 230V (1600W) |
| -     | 118563665/0 | 1    | MOTORE LEO             | MOTOR LEO          | MOTEUR LEO             | MOTOR LEO         | 230V (1600W) |
| -     | 18563607/0  | 1    | MOTORE ATB             | MOTOR ATB          | MOTEUR ATB             | MOTOR ATB         | 240V (1600W) |
| 453,1 | 18740054/0  | 1    | VENTOLA PER MOTORE ATB | FAN MOTOR ATB      | VENTILATEUR MOTEUR ATB | LÜFTER MOTOR ATB  |              |
| 453,2 | 18222045/0  | 1    | CONDENSATORE 16 µF     | CONDENSER 16 µF    | CONDENSEUR 16 µF       | KONDENSATOR 16 µF | (ATB)        |
| 454   | 12735410/0  | 4    | VITE                   | SCREW              | VIS                    | SCHRAUBE          |              |
| 455   | 12583500/0  | 4    | GROWER                 | GROWER             | GROWER                 | FEDERRING         |              |
| 456   | 12293200/0  | 4    | DADO                   | NUT                | ECROU                  | MUTTER            |              |
| 457   | 22207202/1  | 1    | FI ANGIA               | FL ANGE            | BRIDE                  | FL ANSCH          |              |
| 458   | 322720360/2 | 1    | SCHERMO                | VENTILATION SCREEN | ECRAN VENTILATION      | LÜFTUNGSSCHIRM    |              |
| 459   | 12691600/0  | 4    | VITE                   | SCREW              | VIS                    | SCHRAUBE          |              |
| 460   | 12139440/0  | 1    | LINGUETTA              | FEATHER            | CLAVETTE               | KEIL              |              |
| 461   | 12523070/0  | 4    | ROSETTA                | WASHER             | RONDELLE               | SCHEIBE           |              |

**T**

**430**

**430S**

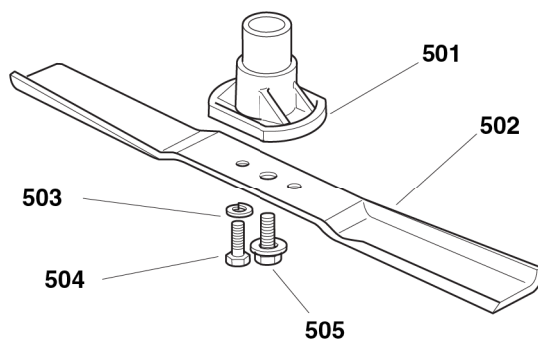
**480**



2008

**193.0**

1 / 1



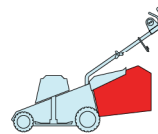
| POS. | CODE        | Q.TY | DESCRIZIONE       | DESCRIPTION    | DESCRIPTION   | BESCHREIBUNG    | REMARKS |
|------|-------------|------|-------------------|----------------|---------------|-----------------|---------|
| 501  | 322463187/3 | 1    | MOZZO             | HUB            | MOYEU         | HALTER          |         |
| 502  | 81004341/3  | 1    | COLTELLO STANDARD | BLADE STANDARD | LAME STANDARD | MESSER STANDARD | 430     |
| -    | 81004396/0  | 1    | COLTELLO ALETTATO | BLADE WINGED   | LAME AILETTÉE | MESSER FLÜGEL   | 430     |
| -    | 81004346/3  | 1    | COLTELLO STANDARD | BLADE STANDARD | LAME STANDARD | MESSER STANDARD | 480     |
| -    | 81004397/0  | 1    | COLTELLO ALETTATO | BLADE WINGED   | LAME AILETTÉE | MESSER FLÜGEL   | 480     |
| 503  | 81004353/1  | 1    | VITE              | SCREW          | VIS           | SCHRAUBE        |         |
| 504  | 12793101/0  | 1    | VITE              | SCREW          | VIS           | SCHRAUBE        |         |
| 505  | 12583500/0  | 2    | GROWER            | GROWER         | GROWER        | FEDERRING       |         |

**T**

**430**

**430S**

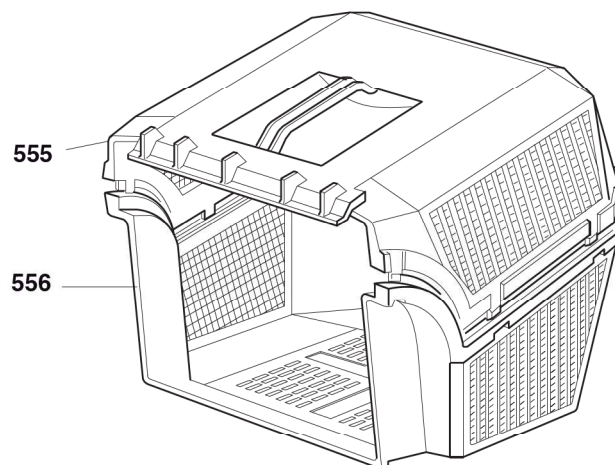
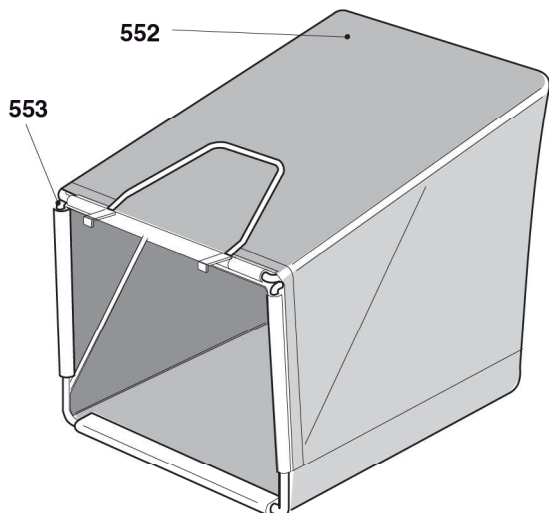
**480**



2008

**194.0**

1 / 1



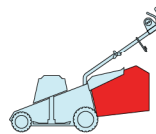
| POS. | CODE       | Q.TY | DESCRIZIONE      | DESCRIPTION      | DESCRIPTION                 | BESCHREIBUNG    | REMARKS |
|------|------------|------|------------------|------------------|-----------------------------|-----------------|---------|
| 552  | 81002124/1 | 1    | SACCO, TELA      | BOX, FABRIC      | SAC, TOILE                  | SACK, TUCK      |         |
| 553  | 81006430/0 | 1    | TELAIO SACCO     | CHASSIS BOX      | CHÂSSIS BAC                 | RAHMEN SACK     |         |
| 555  | 22486065/0 | 1    | SACCO, PARTE SUP | GRASS-BOX, UPPER | SAC, PARTIE SUPERIEU-<br>RE | KORB, OBERTEIL  |         |
| 556  | 22486064/0 | 1    | SACCO, PARTE INF | GRASS-BOX, LOWER | SAC, PARTIE INFERIEURE      | KORB, UNTERTEIL |         |

**T**

**430**

**430S**

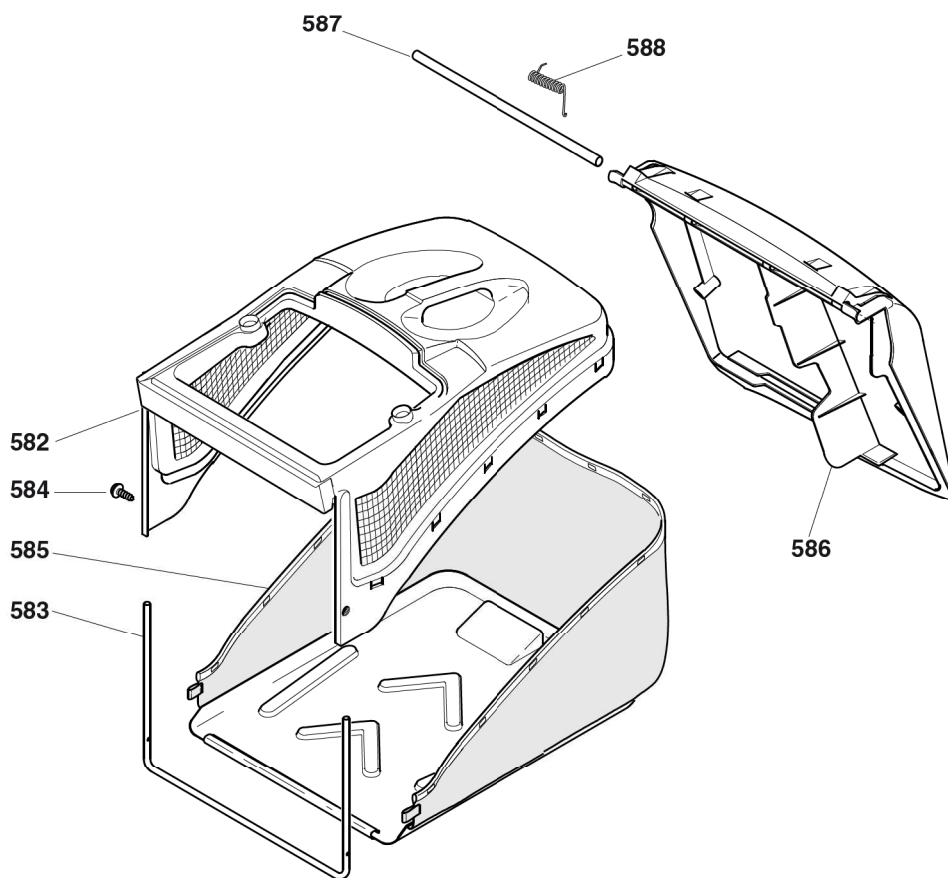
**480**



2008

**194a.0**

1 / 1



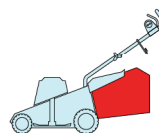
| POS. | CODE       | Q.TY | DESCRIZIONE      | DESCRIPTION      | DESCRIPTION      | BESCHREIBUNG   | REMARKS |
|------|------------|------|------------------|------------------|------------------|----------------|---------|
| 582  | 22486094/0 | 1    | SACCO, PARTE SUP | GRASS-BOX, UPPER | SAC, PARTIE      | KORB, OBERTEIL |         |
| 583  | 22608524/0 | 1    | RINFORZO INF     | STIFFENING LOWER | RÉNFORCEMENT INF | VERSTÄRKUNG    |         |
| 584  | 12728445/0 | 2    | VITE             | SCREW            | VIS              | SCHRAUBE       |         |
| 585  | 81002196/0 | 1    | SACCO, TELA      | BOX, FABRIC      | SAC, TOILE       | SACK, TUCK     |         |
| 586  | 22600066/2 | 1    | PARASASSI        | STONE-GUARD      | PARE-PIERRES     | PRALLBLECH     |         |
| 587  | 22517907/0 | 1    | PERNO            | PIN              | PIVOT            | BOLZEN         |         |
| 588  | 22451000/0 | 1    | MOLLA            | SPRING           | RESSORT          | FEDER          |         |

**T**

**430**

**430S**

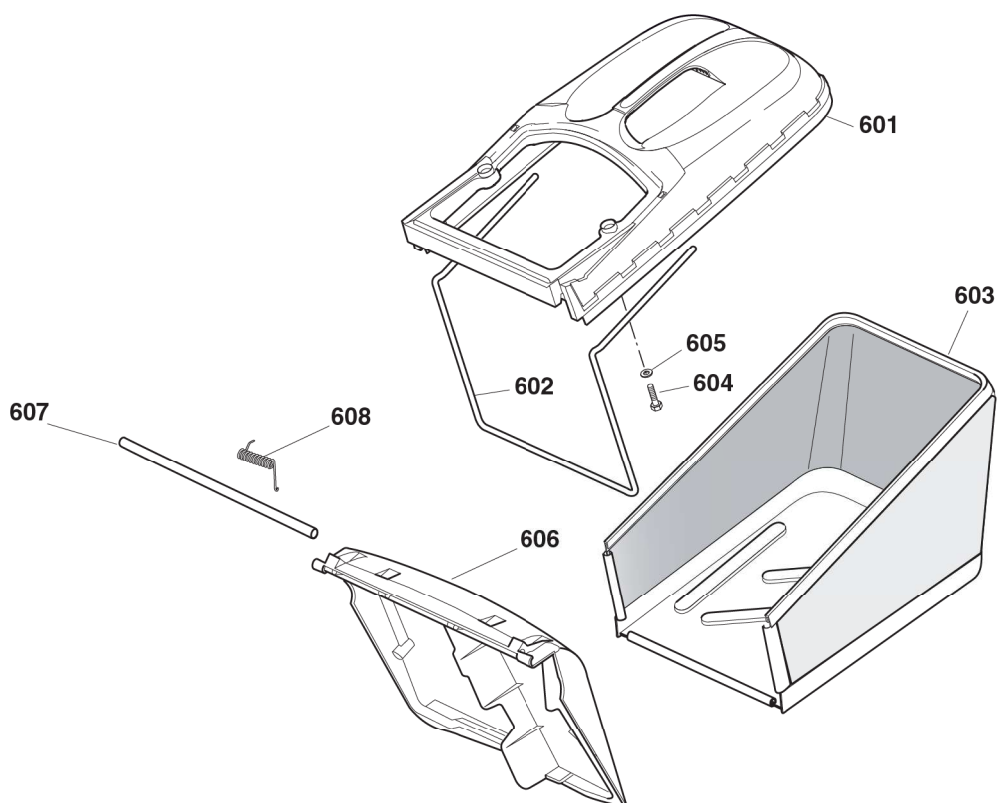
**480**



2008

**194b.0**

1 / 1



| POS. | CODE       | Q.TY | DESCRIZIONE      | DESCRIPTION      | DESCRIPTION      | BESCHREIBUNG   | REMARKS |
|------|------------|------|------------------|------------------|------------------|----------------|---------|
| 601  | 22486102/0 | 1    | SACCO, PARTE SUP | GRASS-BOX, UPPER | SAC, PARTIE      | KORB, OBERTEIL |         |
| 602  | 22608526/0 | 1    | RINFORZO INF     | STIFFENING LOWER | RÉNFORCEMENT INF | VERSTÄRKUNG    |         |
| 603  | 81002212/0 | 1    | SACCO, TELA      | BOX, FABRIC      | SAC, TOILE       | SACK, TUCK     |         |
| 604  | 12728680/0 | 2    | VITE             | SCREW            | VIS              | SCHRAUBE       |         |
| 605  | 12523050/0 | 2    | ROSETTA          | WASHER           | RONDELLE         | SCHEIBE        |         |
| 606  | 22600066/2 | 1    | PARASASSI        | STONE-GUARD      | PARE-PIERRES     | PRALLBLECH     |         |
| 607  | 22517857/0 | 1    | PERNO            | PIN              | PIVOT            | BOLZEN         |         |
| 608  | 22451000/0 | 1    | MOLLA            | SPRING           | RESSORT          | FEDER          |         |